

WR28 (BJ320) Waveguide to Coaxial Adapter

Application

- Ø Testing and measuring equipment.
- Ø Radar and communication systems.
- Ø Satellite and wireless communication.
- Ø Compact wiring scenario.
- Ø It supports a one-year standard warranty.

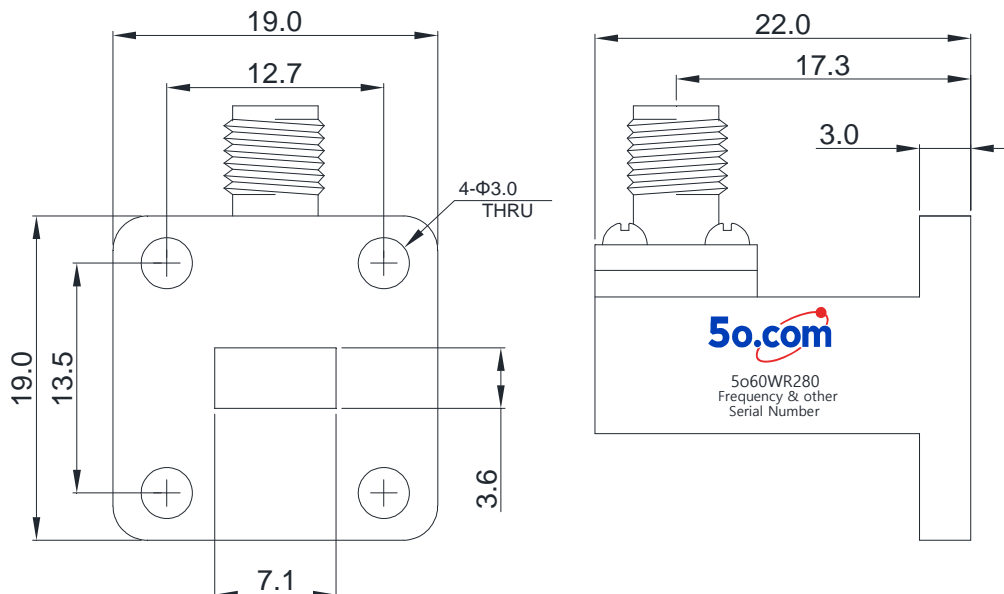
RF Characteristics

Part Number	Frequency Range (GHz)	Insertion Loss Max(dB)	VSWR Max	Connector Type (Waveguide)	Connector Type
5o60WR28026540KK	26.5 ~ 40.0	0.25	1.25	WR28 (BJ320)	2.92mm-K
5o60WR28026540KJ	26.5 ~ 40.0	0.25	1.25	WR28 (BJ320)	2.92mm-J
5o60WR2802654024K	26.5 ~ 40.0	0.25	1.25	WR28 (BJ320)	2.4mm-K
5o60WR28026540K24J	26.5 ~ 40.0	0.25	1.25	WR28 (BJ320)	2.4mm-J

Basic Specifications

Power(W)	3	Impedance	50Ω
Peak Power(W)	100	Operating Temp	-55 ~ +85°C
Connector Type (Waveguide)	WR28(BJ320)	Storage temperature	-55~+125°C

Overall dimensions(mm)



Tolerances: ±2% unless otherwise stated.